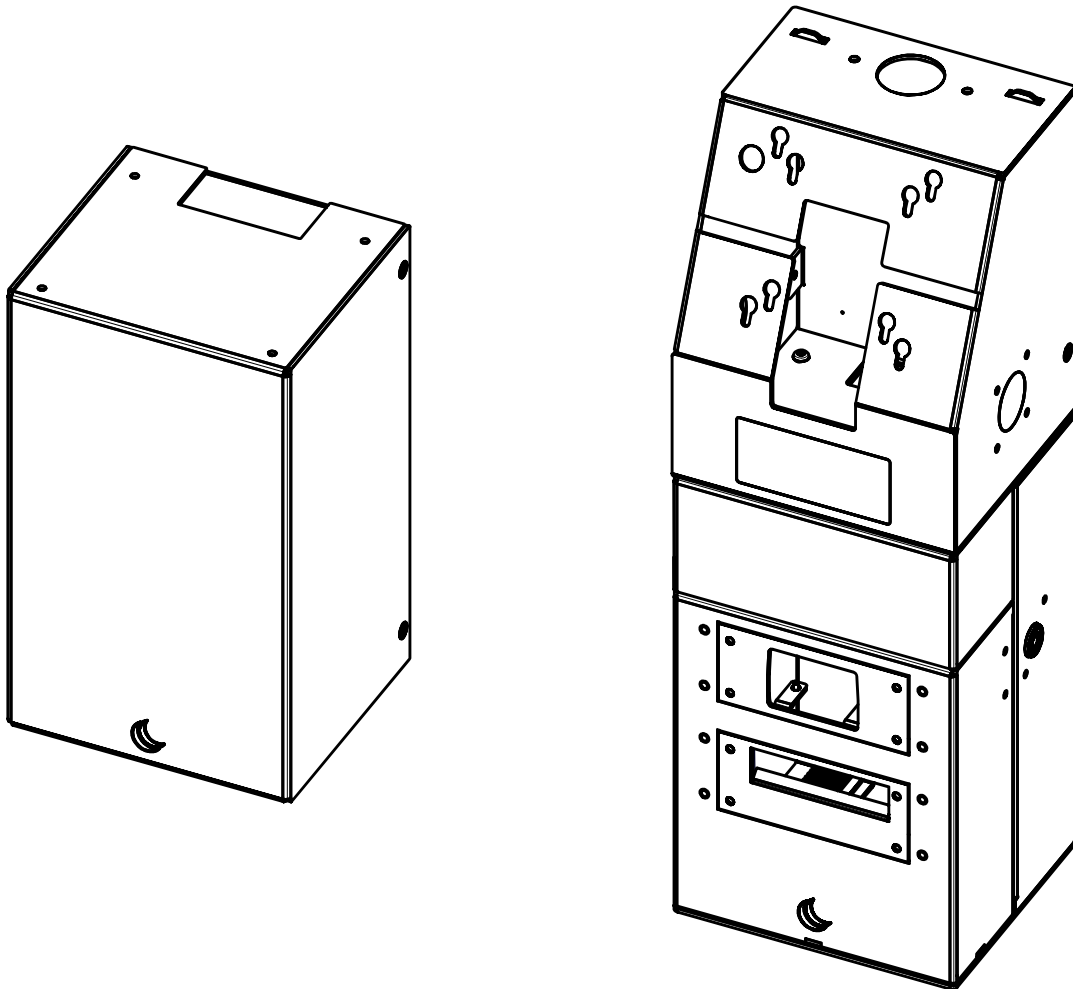


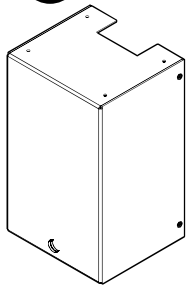
# Installation Guide

## SPK200, SPK20X, SPK5XX

### Center module for the SpacePole Kiosk

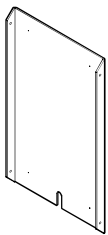


**(A) SPK200**




x1

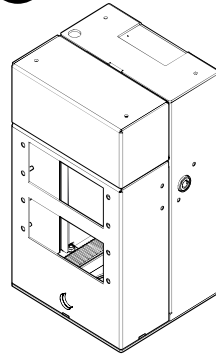
 x4 M5x6



x1

 x4 M5x8 countersunk

**(B) SPK20X**



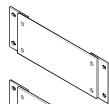
x 1

 x4 M5x6

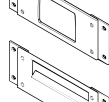
 x8 M4 flange nuts

 x2 M3x6

**SPK5XX**



x1



x1

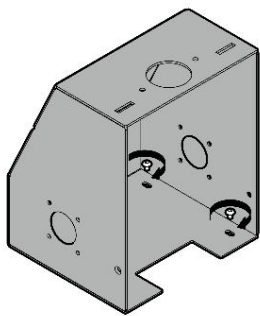


x1



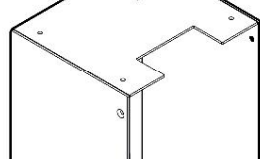
x1 keys

**(A1) Assemble the parts**



**(b)**  
x4 M5x6

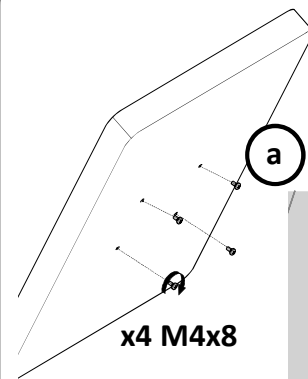
**(a)**



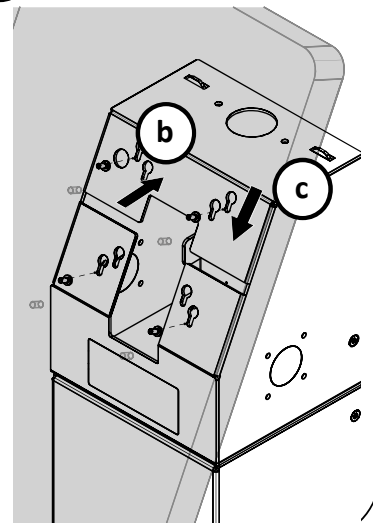
**(a)** Place the top module on the center module

**(b)** Secure it with the screws supplied

**(A2) Install screen**

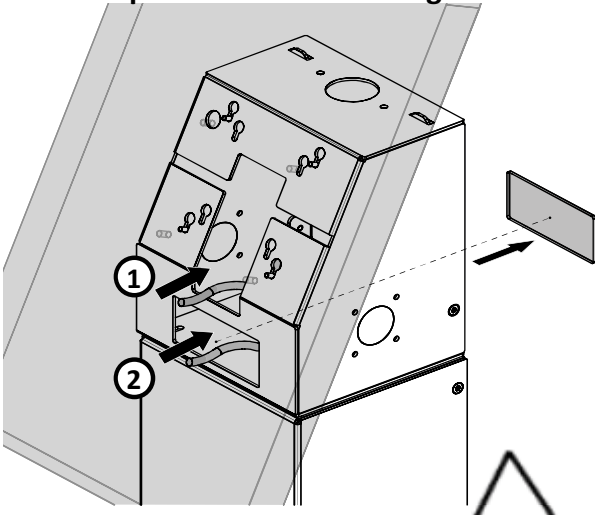


x4 M4x8



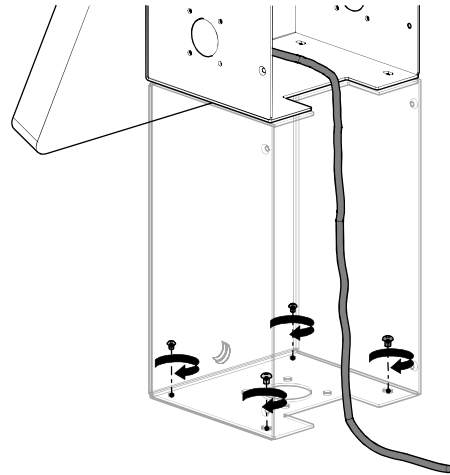
### A3 Run cables

Two options for cable management



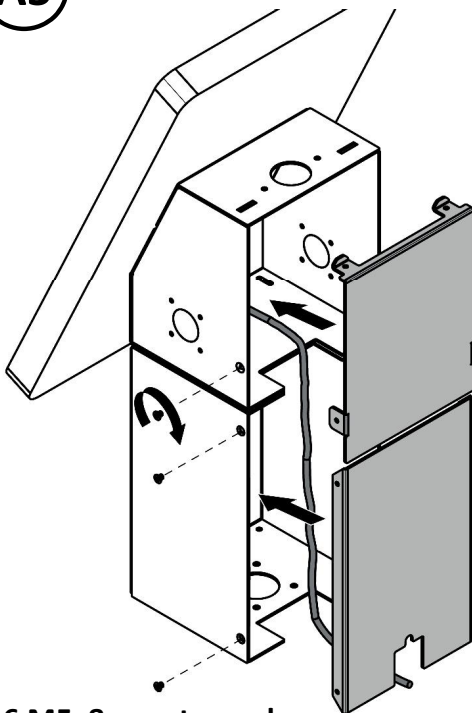
For large screens:  
Remove cutout from the bottom of the top  
module for alternative cable management

### A4 Install to counter



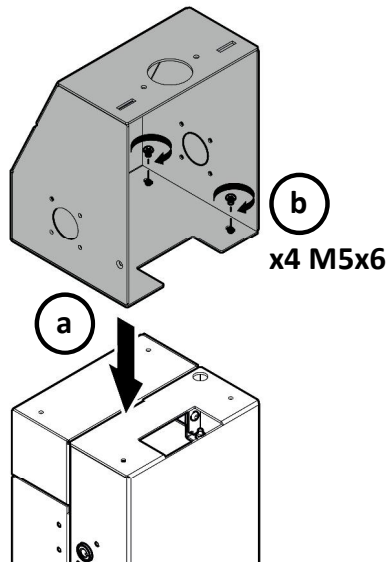
Fixings not included: It is the  
responsibility of the installers to  
ensure the correct fixings are used for  
the specific type of counter

### A5 Install backplates



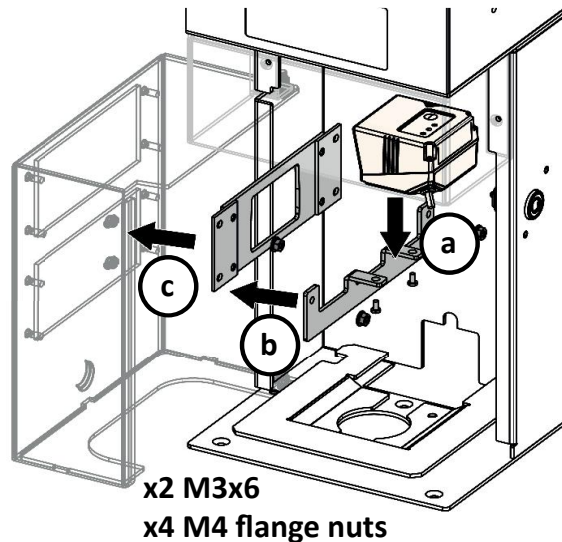
x6 M5x8 countersunk

**B1 Assemble the parts**



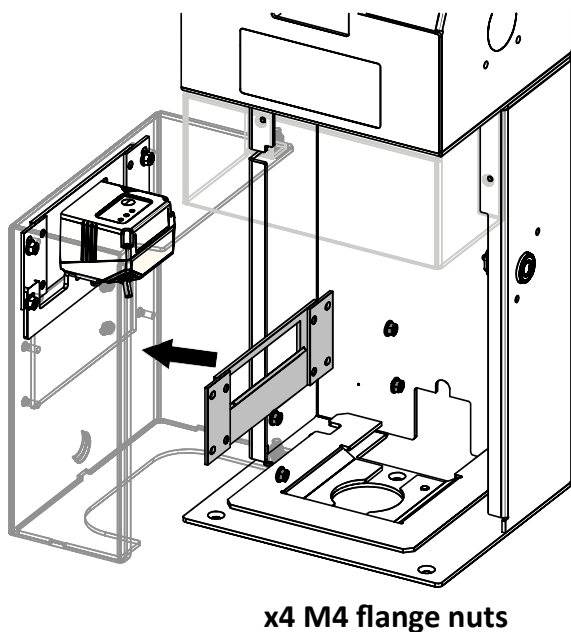
- a Place the top module on the center module
- b Secure it with the screws supplied

**B2 Install scanner and cover**

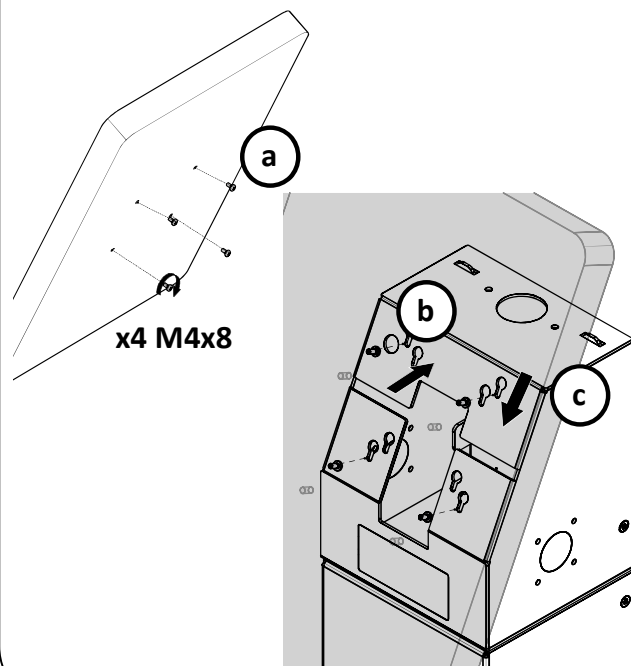


Note that the scanner must be mounted on to the bracket prior to installing the bracket and cover to the front of the Center module

**B3 Printer Cover Installation**

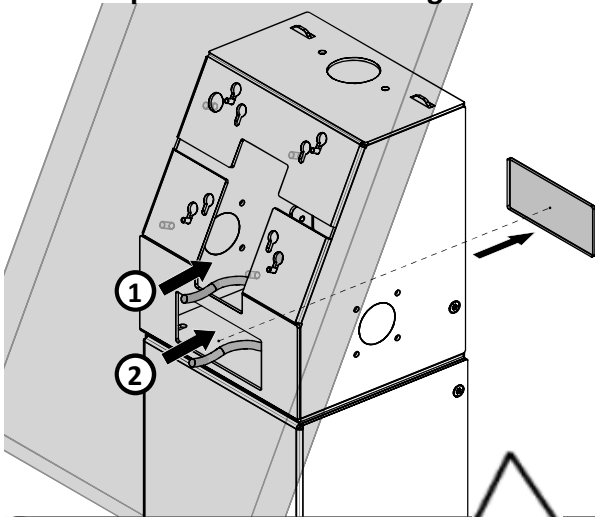


**B4 Install screen using supplied fixing**



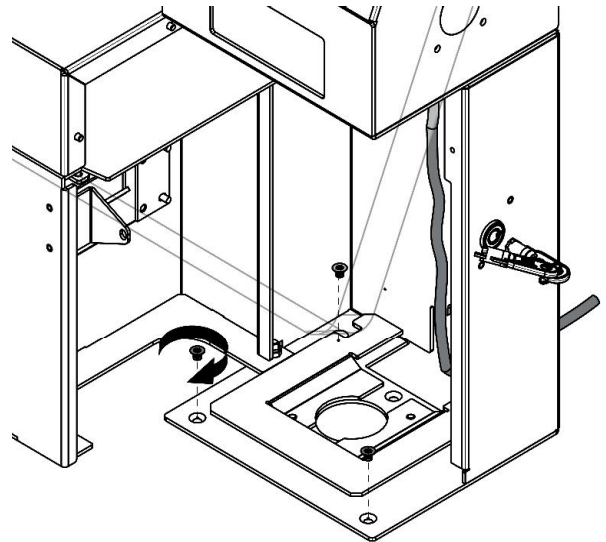
## B5 Run cables

Two options for cable management



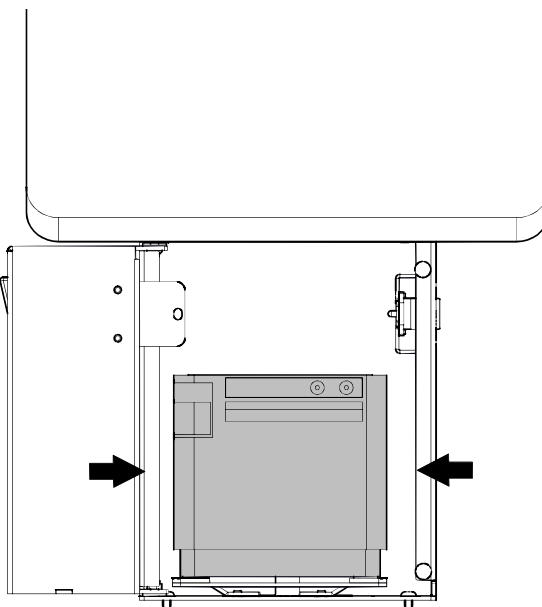
For large screens:  
Remove cutout from the bottom of the top module for alternative cable management

## B6 Install to counter



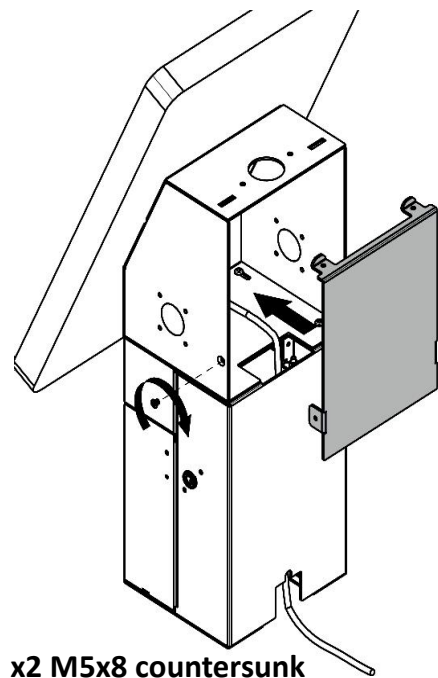
Fixings not included: It is the responsibility of the installers to ensure the correct fixings are used for the

## B7 Printer installation



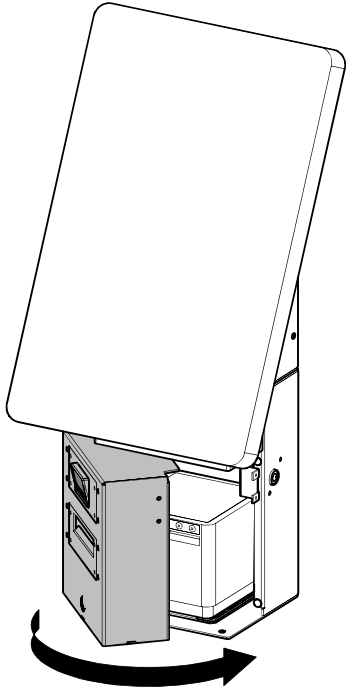
Center the printer on the plate

## B8 Run cables and install backplate

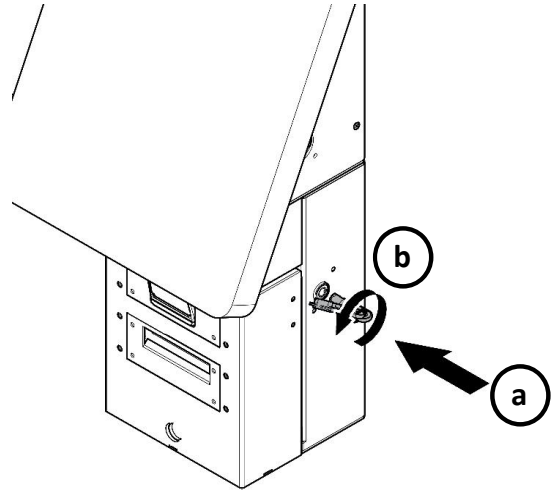


x2 M5x8 countersunk

**B9** Close and lock the door



**B10** Close and lock the door



- a** Push in the lock with the key
- b** Lock the door with the key